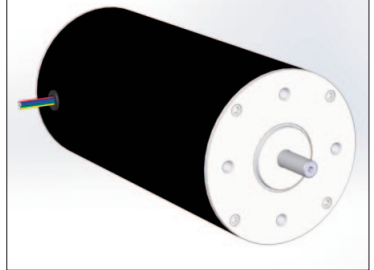


DC motor with permanent magnet

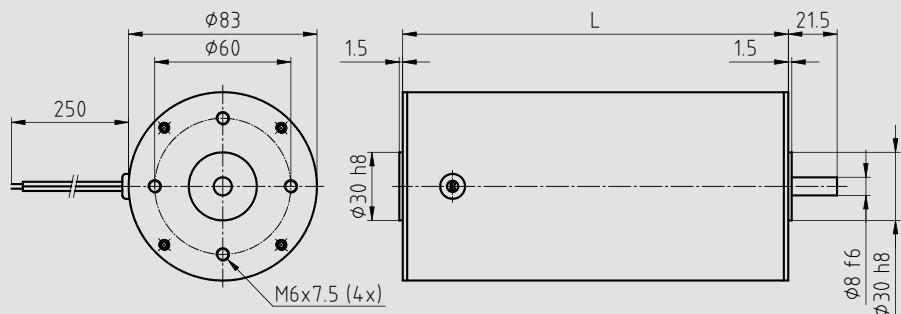


Properties:	<p>Connection: Connection to the power supply, battery, PWM controller or control amplifier, residual ripple of the operating voltage max. 5% Cable connection, optional plug-in connector</p> <p>Commutation: Mechanical commutation using a 12-part commutator</p> <p>Magnetic system: 2-pole permanent ferrite magnet</p> <p>Service life: 3,000 h, S1 duty</p> <p>Insulation mat. class: F</p> <p>System of protection: IP 40, optional IP 54</p> <p>Special model: Design for short-time duty with high performance, additional voltages and speeds upon request</p> <p>Options: Special shafts, custom designed</p>
--------------------	---

Type	Name			PN 8340	PN 8390		
	Nominal voltage	U	Volt DC	24	24		
Rate	Nominal power	P ₂	W	126	190		
	Nominal speed	n _{nom}	rpm	3000	3000		
	Nominal torque	T _{nom}	Ncm	40	60		
	Nominal current	I _{nom}	A	6.75	9.85		
	Starting torque	T _S	Ncm				
	Idling speed	n _{idle}	rpm	3300	3200		
	No-load current	I ₀	A	0.45	0.5		
Characteristics	Gradient speed torque curve	1 / k	mNm / rpm				
	Speed constant	c _n	rpm / V				
	Torque constant	c _T	Ncm / A				
	Nominal efficiency	η		0.78	0.80		
Connection	Terminal resistance	R	Ohm				
	Rated input power	P ₁	W	162	236		
Dynamics	Weight	m	kg	3.32	3.8		
	Moment of inertia	J	gcm ²				
	Mech. time constant	τ _M	ms				
Thermal	Adm. ambient temperature	T _U	°C	-20 to +40	-20 to +40		
	Max. adm. rotor temperature	T _{max}	°C	+155	+155		
Coupling	Shaft diameter	d	mm				
	Max. axial force	F _a	N				
	Max. radial force	F _r	N				

Dimensions

Type	L / mm
PN 8340	116
PN 8390	170



System technology

Recommended combinations other gears and extensions upon request	Worm gear	S 769	S 668	GS 3
		Spur gear	M 10	
	Planetary gear	PM 60		
	Rotary encoder	RV 30	RI 30	
	Brake	B 77		
	Electronics	UCE 24		