

Single-phase asynchronous motor

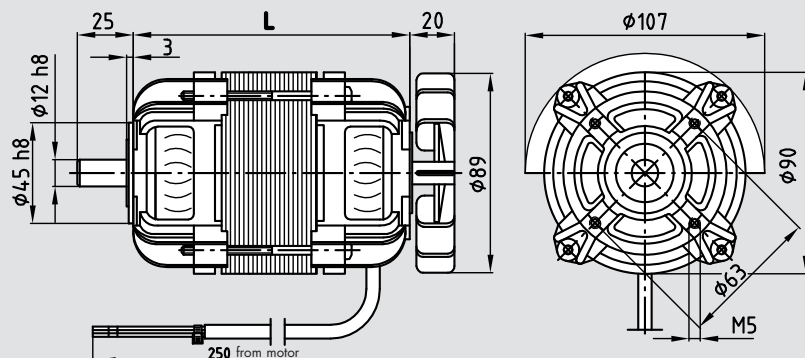
- Properties:**
- Connection: 230 V / 50 Hz AC system , optional designs for 110 V / 60 Hz or other voltages / frequencies
Running capacitor required
Cable connection, optional plug-in connector
 - Service life: 20,000 hours, S1 duty
 - Insulation mat. class: B, optional F
 - System of protection: IP 00 (open design)
 - Special model: Design for short-time duty with high performance
Alloy rotor for higher starting torque
 - Options: Thermal protection, special shafts, custom designed



Type	Name	U	AC voltage	Es 9040-2	Es 9060-2	Es 9080-2
	Nominal voltages	U	AC voltage	230	230	230
Specification	Nominal power	P ₂	W	224.6	359.9	460.7
	Nominal speed	N _{nom}	rpm	2750	2750	2750
	Nominal torque	T _{nom}	Ncm	78	125	160
	Starting torque	T _A	Ncm	35	45	53
	Nominal current	I _{nom}	A	1.65	2.4	3.05
	No-load current	I ₀	A	1.21	1.11	1.00
Characteristics	Locked rotor speed	n _{break}	rpm	2300	2300	2300
	Locked rotor torque	T _{break}	Ncm	91	160	180
	Nominal efficiency	η		0.59	0.62	0.67
Connection	Terminal resistance	R	Ohm	26	16	12
	Input power	P ₁	W	405	608	631
	Running capacitor	C	μF	12	16	20
Dynamics	Weight	m	kg	2.5	3.2	3.9
	Moment of inertia	J	gcm ²	1100	1532	1964
Thermal	Adm. ambient temperature	T _a	°C	-20 to +40	-20 to +40	-20 to +40
	Max. adm. stator temperature	T _{max}	°C	+120	+120	+120
Coupling	Shaft diameter	d	mm	12	12	12
	Max. axial force	F _a	N	65	65	65
	Max. radial force	F _r	N	700	700	700

Dimensions

Type	L / mm
Es 9040-2	122
Es 9060-2	142
Es 9080-2	162



System technology

Recommended combinations other gears and extensions upon request	Worm gear	SC 401
	Spur gear	M 10
upon request	Planetary gear	PM 80
	Rotary encoder	upon request
	Brake	upon request

Single-phase asynchronous motor

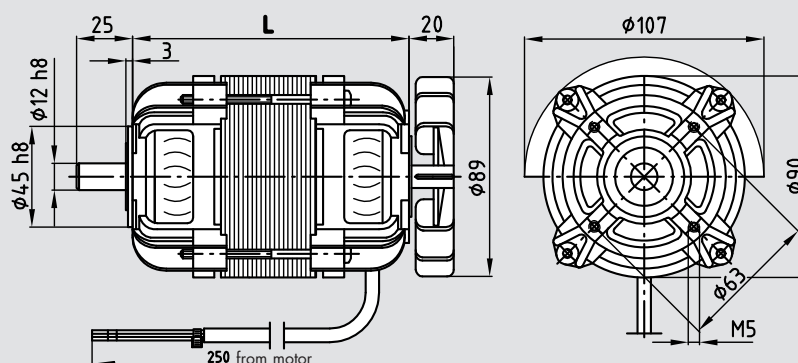


Properties:	<p>Connection: 230 V / 50 Hz AC system , optional designs for 110 V / 60 Hz or other voltages / frequencies Running capacitor required Cable connection, optional plug-in connector</p> <p>Service life: 20,000 hours, S1 duty</p> <p>Insulation mat. class: B, optional F</p> <p>System of protection: IP 00 (open design)</p> <p>Special model: Design for short-time duty with high performance Alloy rotor for higher starting torque</p> <p>Options: Thermal protection, special shafts, custom designed</p>
--------------------	---

Type	Name			Es 9040-4	Es 9060-4	Es 9080-4
	Nominal voltages	U	AC voltage	230	230	230
Specification	Nominal power	P ₂	W	98	147	183
	Nominal speed	N _{nom}	rpm	1300	1300	1300
	Nominal torque	T _{nom}	Ncm	72	108	135
	Starting torque	T _A	Ncm	33	46	67
	Nominal current	I _{nom}	A	0.83	1.15	1.4
	No-load current	I ₀	A	0.79	0.61	0.69
Characteristics	Locked rotor speed	n _{break}	rpm	1100	1100	1100
	Locked rotor torque	T _{break}	Ncm	93	124.5	175
	Nominal efficiency	η		0.48	0.54	0.58
Connection	Terminal resistance	R	Ohm	55	45	30
	Input power	P ₁	W	239	266	363
	Running capacitor	C	μF	6	8	10
Dynamics	Weight	m	kg	2.5	3.2	3.9
	Moment of inertia	J	gcm ²	1771	2468	3164
Thermal	Adm. ambient temperature	T _a	°C	-20 to +40	-20 to +40	-20 to +40
	Max. adm. stator temperature	T _{max}	°C	+120	+120	+120
Coupling	Shaft diameter	d	mm	12	12	12
	Max. axial force	F _a	N	65	65	65
	Max. radial force	F _r	N	700	700	700

Dimensions

Type	L / mm
Es 9040-4	122
Es 9060-4	142
Es 9080-4	162



System technology

Recommended combinations
other gears and extensions upon request

Worm gear	SC 401
Spur gear	M 10
Planetary gear	PM 80
Rotary encoder	upon request
Brake	upon request